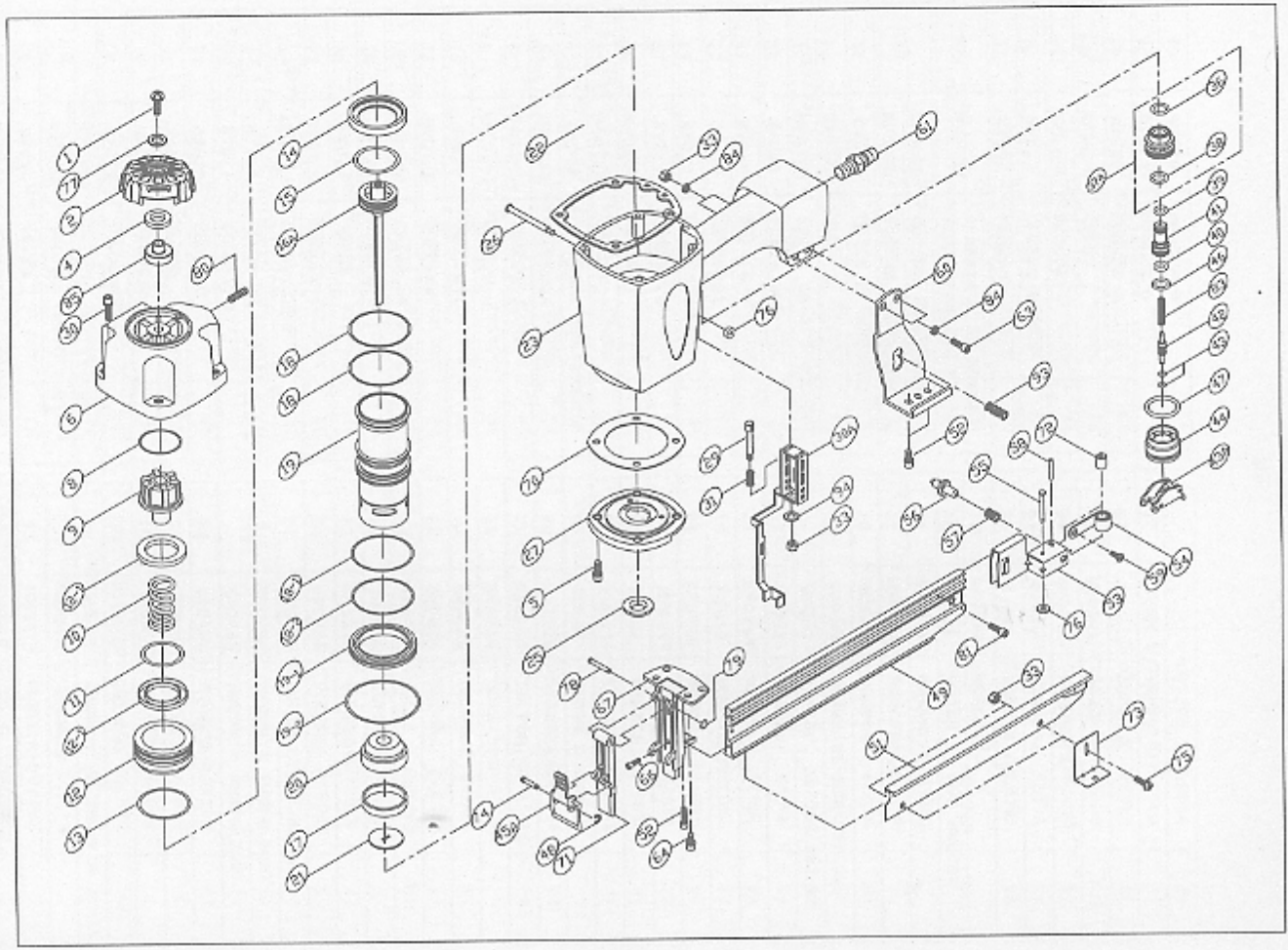


MODEL MS16/64A, MS16/64H, MS16/64Q PARTS LISTS

Diagram Schaubild Diagramma Diagramme



MS16/64A, MS16/64H, MS16/64Q



REF. NO.	PART NO.	DESCRIPTION
1	NA001RN	BOLT
2	NA002N	EXHAUST COVER
4	NA080	PU RING
5	NA005N	BOLT
6	NA006	CAP
8	NA008	SPACER
9	NA009	PISTON STOPPER
10	NA010	SPRING
11	NA011	O-RING
12	NA012	PISTON HEAD VALVE
12-1	NA0121	SPACER
13	NA013N	O-RING
14	NA014	SEAL
15	NA015	O-RING
16A	NA016N	PISTON UNIT
17	NA017N	COLLAR
18	NA018	O-RING
18-1	NA018-1	O-RING
18-2	NA018-2N	O-RING
19	NA019N	CYLINDER
19-1	TH018	CYLINDER SPACER
19-2	TH019R	O-RING
20	NA020N	BUMPER
21	NA021	WASHER
22	NA022	GASKET
23	TH025	BODY
24	NA024	E-RING
25	NA025	SET BLOCK
26	NA026N	STEPPED PIN
27	NA027N	BOTTOM
29	NA029	SPRING GUIDE
30	SN9005	BOLT
30A	NA030A	UPPER SAFETY LEVER ASH.
31	NA031	SPRING
33	NA033	LOCK NUT
36	NA036R	O-RING
37A	NA035A	VALVE
38	NA036	O-RING
39	NA037	O-RING
40	NA038	O-RING
41	NA039	VALVE PLUNGER
42	NA040	PLUNGER

REF. NO.	PART NO.	DESCRIPTION
43	NA041N	O-RING
43A	NA043	TRIGGER ASSEMBLY
44	NA042	PLUNGER CAP
45A	NA045NA	LATCH
46	NA067	O-RING
47	NA068	O-RING
48	NA048N	E RING
49	NA049A	MAGAZINE
51	NA051N	COVER
52	NA052N	BOLT
53	NA053N	PUSHER (MS16/64A MS16/64Q)
54	NA053H	PUSHER (MS16/64H)
55	NA054	SPRING
55	NA055	SHAFT
56	NA056N	STOPPER
57	NA057N	SPRING
58	NA058N	ROLLED PIN
59	NA059N	BOLT
60	NA060RN	BRACKET
61	NA061	AIR PLUG
63	NA063	BOLT
64	NA064	BOLT
66	NA066B	BOLT
67	NA047A	GUIDING PLATE (MS16/64A MS16/64Q)
70	NA047H	GUIDING PLATE (MS16/64H)
70	NA070	GASKET
71	NA046N	NOSE PLATE (MS16/64A MS16/64H)
71	NA046Q	NOSE PLATE (MS16/64Q)
72	NA072	ROLLER
73	NA073	COVER SUPPORT
74	NA044N	STEPPED PIN
75	NA075	BOLT
76	NA076N	PU-RING
77	NA077N	WASHER
78	NA078	STEPPED PIN
79	F30C24	O-RING
80	NA082	SET SCREW
81	90C41	BOLT
83	NA069	SPRING
84	NA084A	FLAT WASHER
85	NA085A	SLEEVE
93	NA093	SPRING
94	NA094	FLAT WASHER