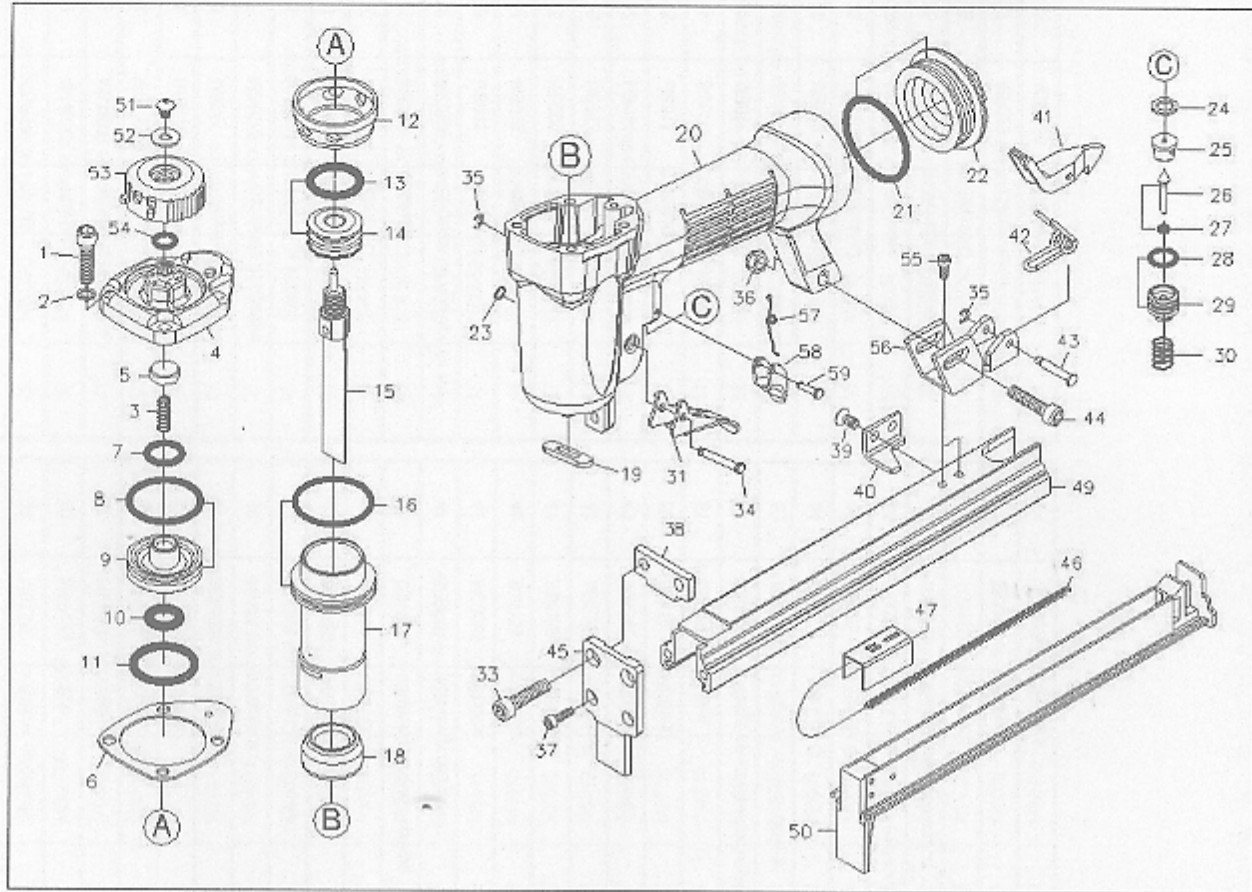


SPARE PARTS PRICE LIST FOR 14/16AB, 64/16AB, 95/16AB, SF/16AB

14/16AB, 64/16AB, 95/16AB, SF/16AB



| Ref. No. | Part No. | Description |
|----------|----------|--|
| 1 | DA5025 | BOLT |
| 2 | MB041 | SPRING WASHER |
| 3 | 80A103 | COMPRESSION SPRING |
| 4 | MB4073 | CYLINDER CAP |
| 5 | MB4074 | PISTON STOPPER |
| 6 | 80A106 | CAP SEAL |
| 7 | 80A107 | O-RING |
| 8 | 80A108 | O-RING |
| 9 | 80A109 | HEAD VALVE PISTON |
| 10 | 80A111 | O-RING |
| 11 | 80AB10 | O-RING |
| 12 | 80A112 | COLLAR |
| 13 | 80A113 | O-RING |
| 14 | 80A114 | PISTON |
| 15 | 14A115 | DRIVER BLADE (14/16AB) |
| | 64A115 | DRIVER BLADE (64/16AB) |
| | 95A115 | DRIVER BLADE (95/16AB) |
| | SFA115 | DRIVER BLADE (SF/16AB) |
| 16 | 80A116 | O-RING |
| 17 | 80A117 | CYLINDER |
| 18 | 80A118 | BUMPER |
| 19 | MBP324 | NOZZLE |
| 20 | MBP426 | BODY |
| 21 | 80A121 | O-RING |
| 22 | 80A122 | END CAP |
| 23 | MBP071 | O-RING |
| 24 | 80A124 | SEAL |
| 25 | 80A125 | TRIGGER VALVE SEAT |
| 26 | 80A126 | TRIGGER VALVE STEM |
| 27 | 80A127 | O-RING |
| 28 | 80A128 | O-RING |
| 29 | 80A129 | TRIGGER VALVE GUIDE |
| 30 | MB035N | COMPRESSION SPRING |
| 31 | MBP430 | TRIGGER |
| 34 | MB038D | TRIGGER PIN |
| 35 | 80A135 | E-RING |
| 36 | 80A136 | LOCK NUT |
| 37 | 80A160 | BOLT |
| 38 | 14A138 | GUIDE PLATE (14/16AB) |
| | 95A138 | GUIDE PLATE (14/16AB, 95/16AB, SF/16AB) |
| 39 | MC0065 | BOLT |
| 40 | 80A140 | MAGAZINE RETAINER |
| 41 | 80A141 | LATCH |
| 42 | 80A142 | LATCH SPRING |
| 43 | 80A143 | LATCH PIN |
| 44 | 80A144 | BOLT |
| 45 | 14A159 | COVER PLATE (14/16AB) |
| | 64A159 | COVER PLATE (64/16AB) |
| | 95A159 | COVER PLATE (95/16AB) |
| | SFA159 | COVER PLATE (SF/16AB) |
| 46 | 80A146 | PUSHER SPRING |
| | 14A147 | PUSHER (14/16AB) |
| 47 | 64A147 | PUSHER (64/16AB & 95/16AB) |
| | 80A147 | PUSHER (SF/16AB) |
| | 14A162 | MAGAZINE CAP (14/16AB) |
| 49 | 95A162 | MAGAZINE CAP (64/16AB & 95/16AB) |
| | 80A145 | MAGAZINE CAP (SF/16AB) |
| | 14A150 | MAGAZINE ASSY. (14/16AB) |
| 50 | 64A150 | MAGAZINE ASSY. (64/16AB, 95/16AB, SF/16AB) |
| 51 | MB4069 | BOLT |
| 52 | MB4070R | WASHER |
| 53 | MB4071 | EXHAUST COVER |
| 54 | MBP305 | O-RING |
| 55 | 80A139 | BOLT |
| 56 | 80A158 | SUPPORT |
| 57 | 80A152 | SPRING |
| 58 | 80A154 | SAFETY LEVER |
| 59 | 80A153 | PIN |